

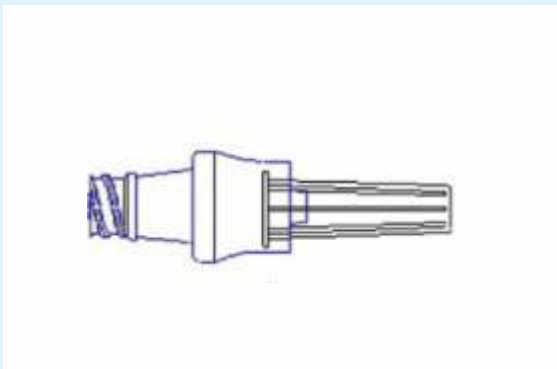
Pure Link Needle Free Connector



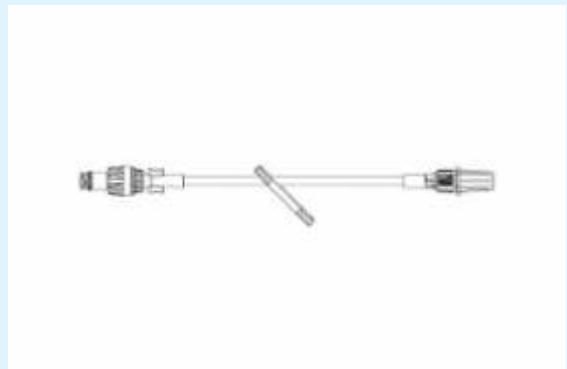
let's win together



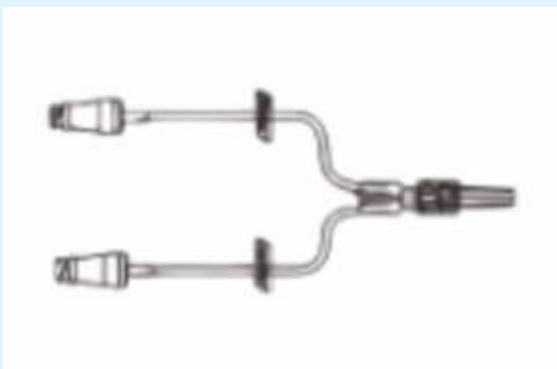
Pure link needle free connectors are designed to reduce the risk of bacterial contamination and to prevent needle stick injuries to the patients & healthcare providers. The Pure Link needle free device can be activated by accessing ISO standard male luer from administration sets, extension sets and syringes. As per the need various variants of the product are available to the healthcare professionals.



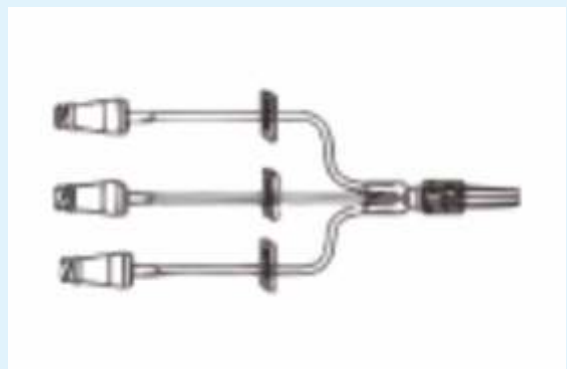
Pure Link Needle Free Connector



Pure Link Single Line Extension



Pure Link Double Extension Set



Pure Link Triple Extension Set

PRODUCT DESCRIPTION

Pure Link REF Code	Pure Link Product Description	Case Quantity
PL 100	Single Pure Link Connector	100
PL 101	Pure Link Connector Fixed to minibore set with Luer lock ,removable Slide clamp & male rotating Luer.	50
PL 101-B	Pure Link Connector Fixed to macro bore kink resistant set with Luer lock & removable Slide clamp & male rotating Luer.	50
PL 102	2 Pure Link Connectors fixed to bifurcated minibore set with male Luer Lock and three removable clamps:	50
PL 102-B	2 Pure Link Connectors Fixed to bifurcated kink resistant set with Luer Lock and 3 Side Clamps.	50
PL 103	3 Pure Link connectors fixed to a tri-fuse minibore extension set with male luer & 4 side clamps.	50
PL 103-B	3 Pure Link connectors fixed to a tri-fuse macro bore bore kink resistant extension set with a male luer & 4 side clamps.	50



SB Sales

D-9, Jangpura Extension, New Delhi-110014 India , Tel : 91-0124-4147979 E-mail : sbsalesind@gmail.com